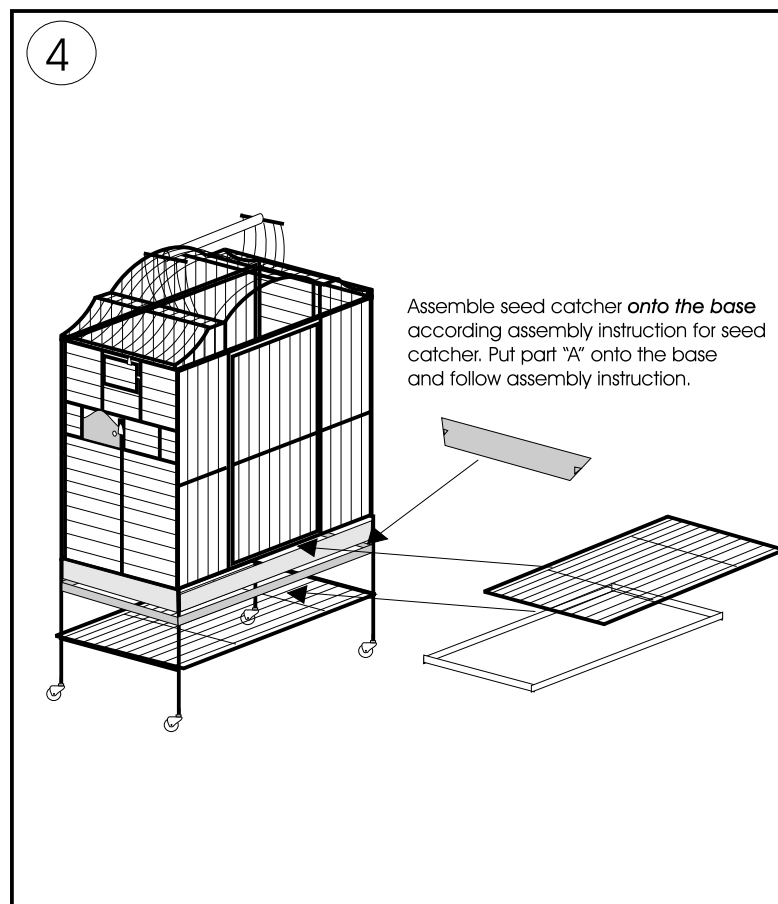
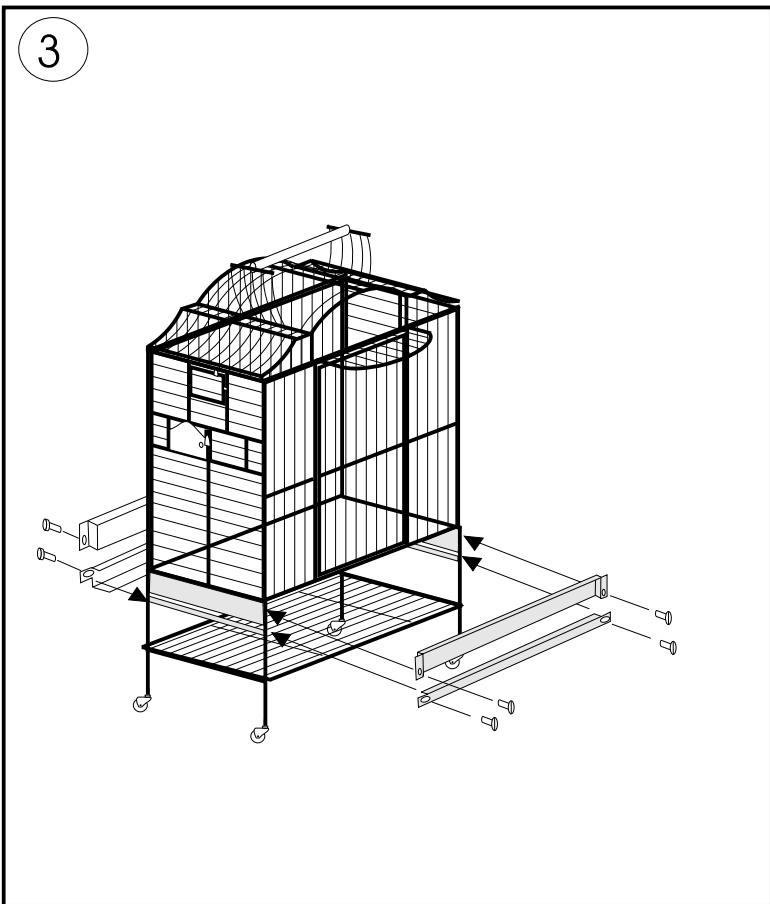
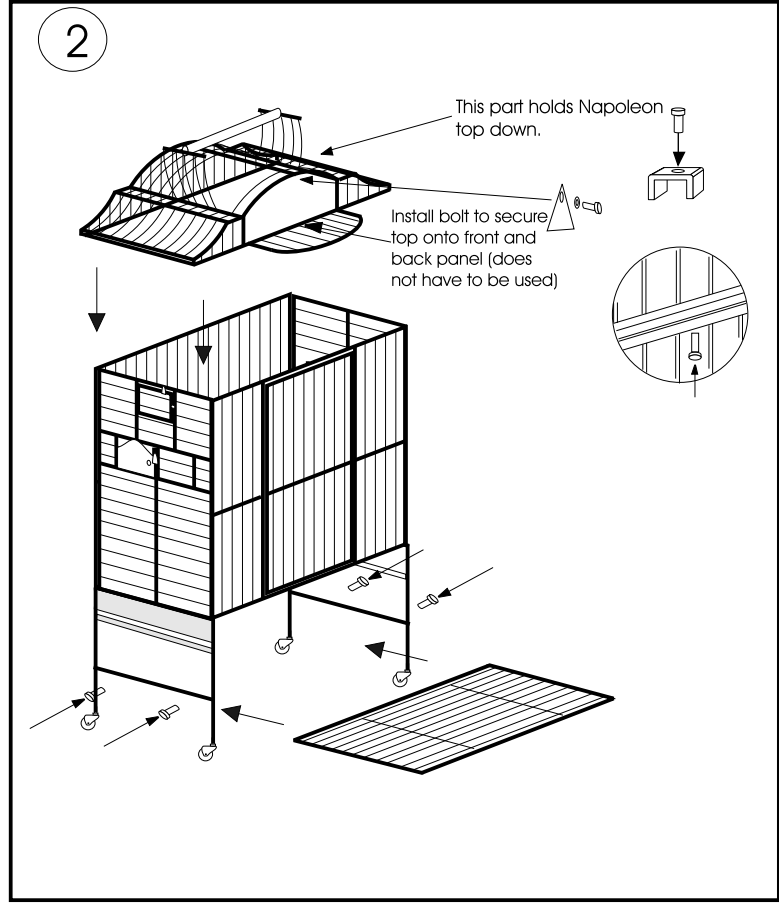
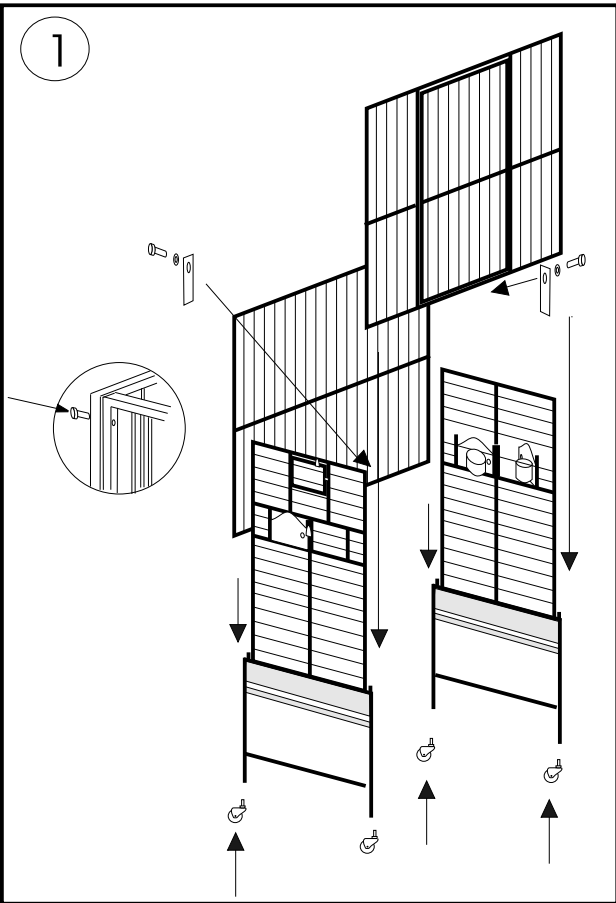
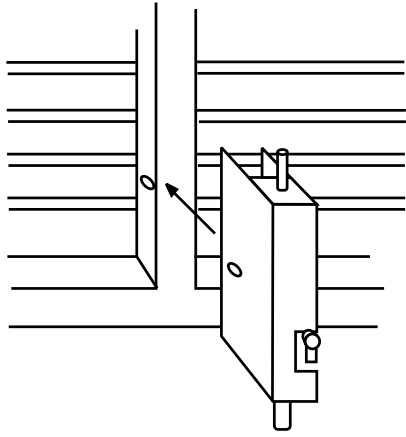


Assembly Instruction for Wrought Iron Cage #3224

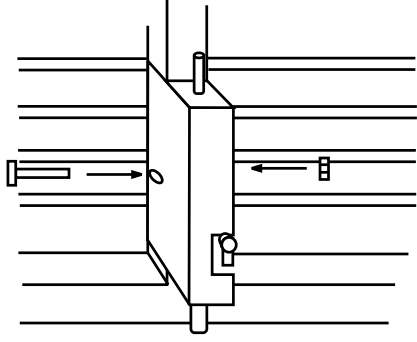


ASSEMBLY INSTRUCTION FOR LOCK

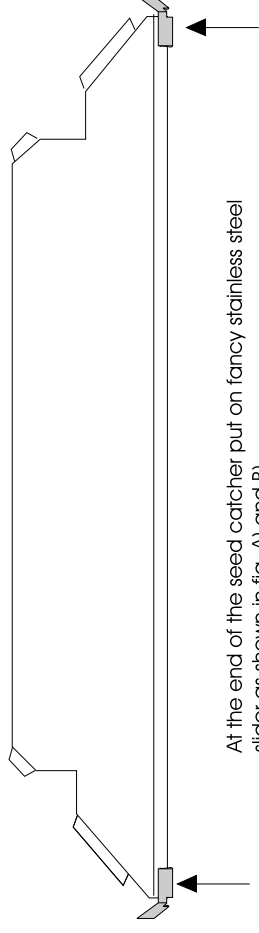
FRONT PANEL



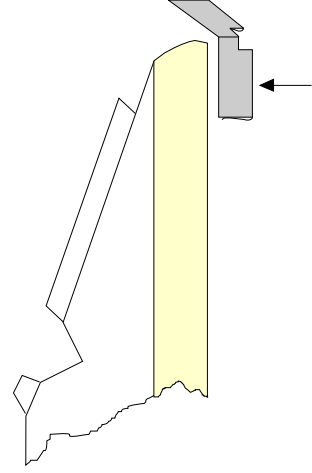
FRONT PANEL



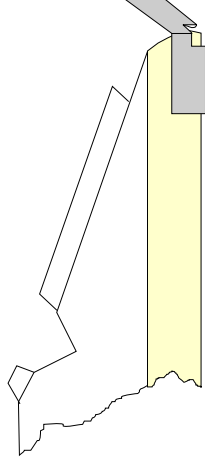
ASSEMBLY INSTRUCTION FOR SEED CATCHER



A)

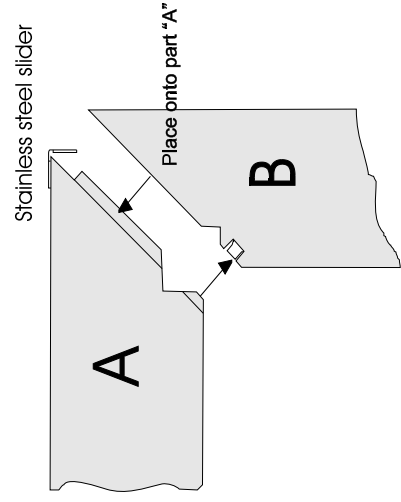


B)



All 4 corners assemble the same way

C)



D) Put on the slider upwards to fix the corner and push part A and B together.

